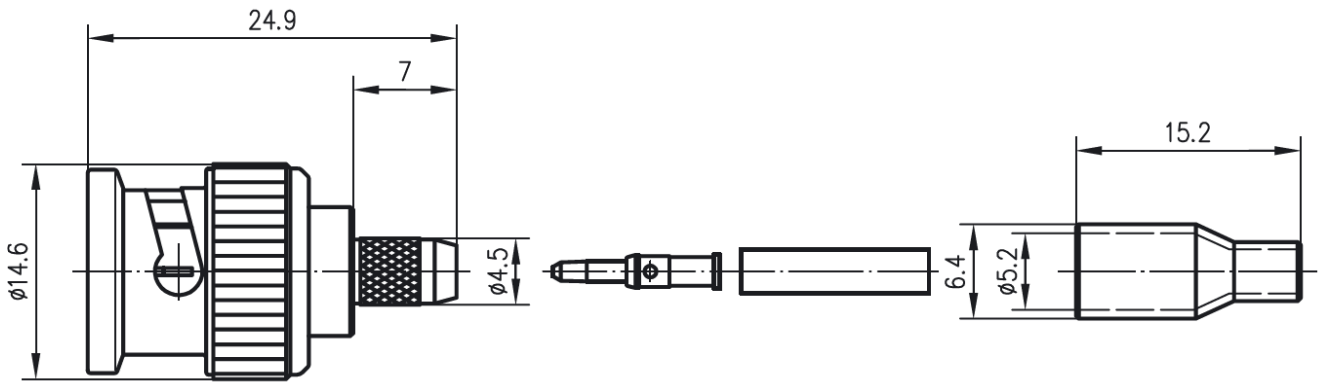


48-707 TELEGARTNER BNC Male cable, crimp, 75 ohm, group J



48-707 TELEGARTNER BNC Male cable, crimp, 75 ohm, group J

Mechanical Characteristics:

Cable Group:	Canford	J	Telegartner	G4
Interface dimensions acc. to	IEC 61169-8			
Mating life	>500			

Materials

Centre contact	CuZn39Pb3
Outer contact	CuZn39Pb3
Other metal parts	GD-ZnAl4Cu1
Crimp ferrule	CuZn38Pb1.5
Insulator	PE-LD, POM
Gasket	Silicone

Finish

Cu1Ni2Au0.8
Cu2Ni5
Zn/Cu6Ni6
Cu2Ni5

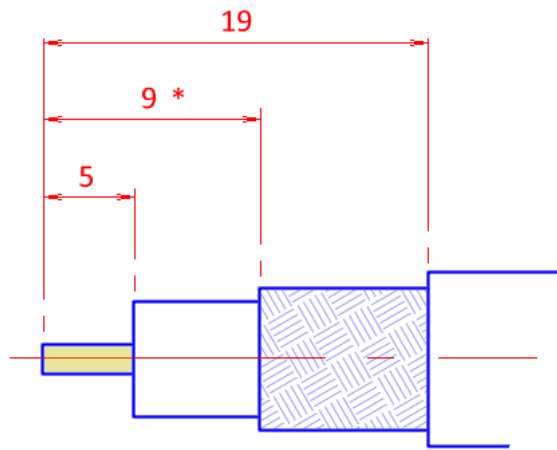
Electrical characteristics:

Impedance	75 Ω
Frequency	0-4 GHz
Working voltage	≤ 0.5 kVeff / 50 Hz
Voltage proof	1.5 kVeff / 50 Hz
Insulation resistance	≥ 5 GΩ
Centre contact resistance	≤ 20 mΩ
Outer contact resistance	≤ 5 mΩ

Environmental:

Operating temperature	-40°C to +75°C
RoHS compliant	2011/65/EU

Cable Prep:

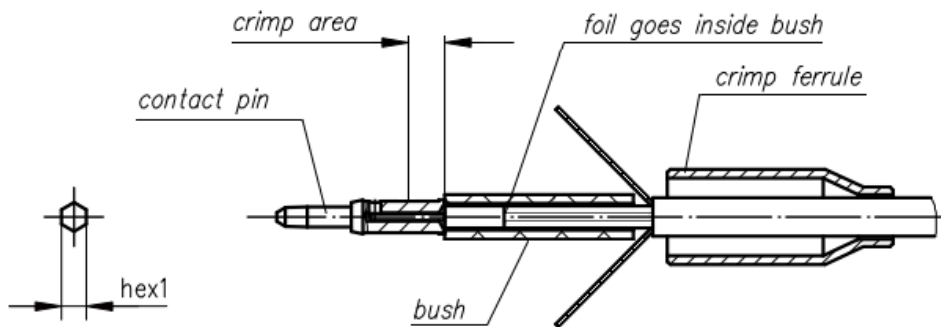


All dims: mm

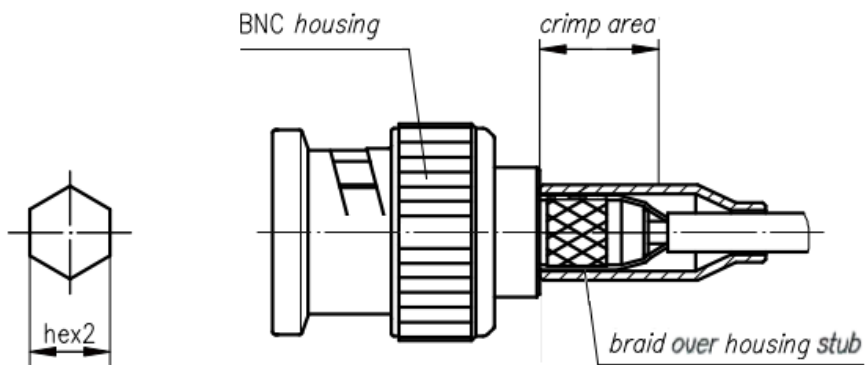
Not to scale

* If foil screen present cut even with braid

Crimp Details:



push in assembled pin and bush into connector body



Hex1	Pin	1.69
Hex2	Ferrule	5.41

Tooling:

55-752 PALADIN 8000 Coaxial crimp tool

55-764 PALADIN 3703 DIE SET for group Y and Telegartner BNC HD groups Q, X, Y

Handset and die sold as singular item:

55-3221 CANFORD COAXIAL CRIMP TOOL Blue, for Telegartner BNC, cable groups Q, X, Y