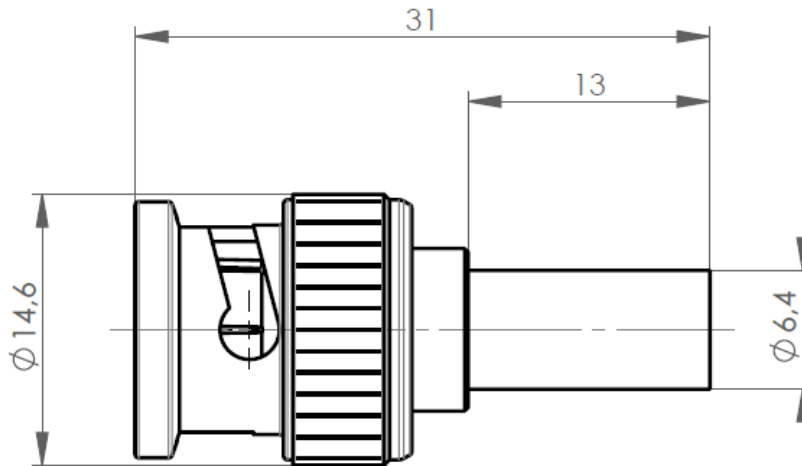


48-706 TELEGARTNER BNC Male cable, crimp, 50 ohm, groups D/G/V



48-706 TELEGARTNER BNC Male cable, crimp, 50 ohm, groups D/G/V

Mechanical Characteristics:

Cable Group:	Canford	D/G/V	Telegartner	G1
Interface dimensions acc. to	IEC 61169-8			
Mating life	>500			

Materials

Centre contact	CuZn39Pb3
Outer contact	CuZn39Pb3
Other metal parts	GD-ZnAl4Cu1
Crimp ferrule	Cu SF w
Isulator	PTFE
Gasket	Silicone

Finish

NiP-Au
Cu2Ni5
Zn/Cu6Ni6
Ni5

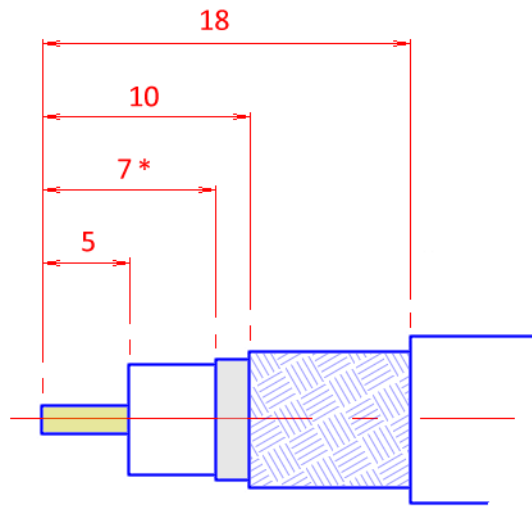
Electrical characteristics:

Impedance	50 Ω
Frequency	0-4 GHz
Typical return loss (cable dependent)	1 GHz 27 dB 2 GHz 24.5 dB 3 GHz 24.5 dB
Insertion loss	≤ 0.15dB up to/bis 3GHz
Working voltage	≤ 0.5 kVeff / 50 Hz
Voltage proof	1.5 kVeff / 50 Hz
Insulation resistance	≥ 5 GΩ
Centre contact resistance	≤ 20 mΩ
Outer contact resistance	≤ 5 mΩ

Environmental:

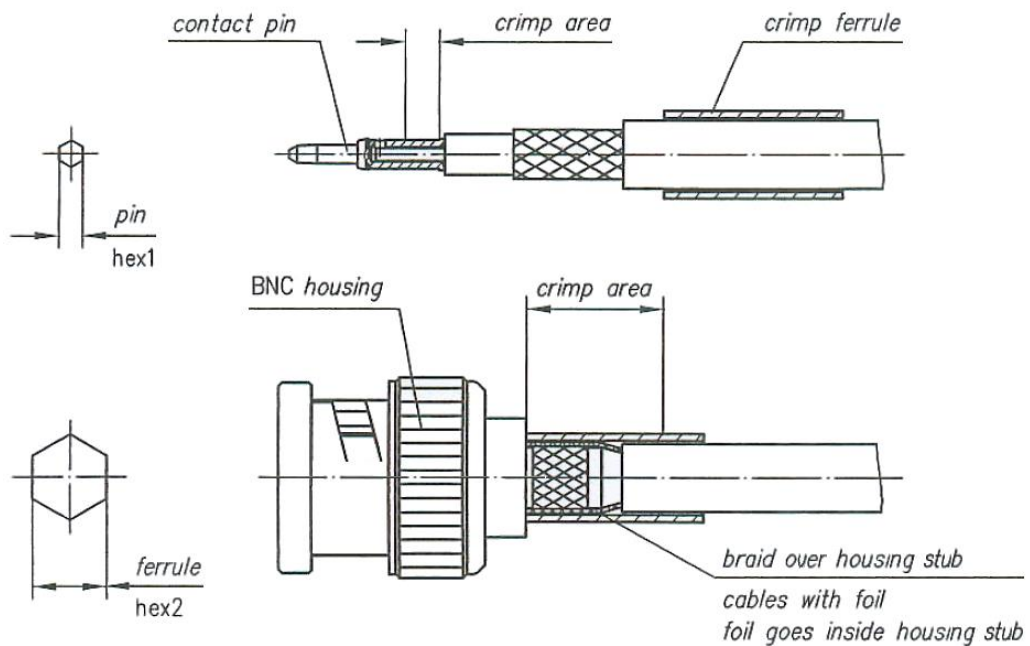
Operating temperature	-40°C to +155°C
RoHS compliant	2011/65/EU

Cable Prep:



All dims: mm
 Not to scale
 * To foil screen if present

Crimp Details:



Hex1	Pin	1.69
Hex2	Ferrule	5.41

Tooling:

55-752 PALADIN 8000 Coaxial crimp tool
 55-764 PALADIN 3703 DIE SET for group Y and Telegartner BNC HD groups Q, X, Y

Handset and die sold as singular item:

55-3221 CANFORD COAXIAL CRIMP TOOL Blue, for Telegartner BNC, cable groups Q, X, Y