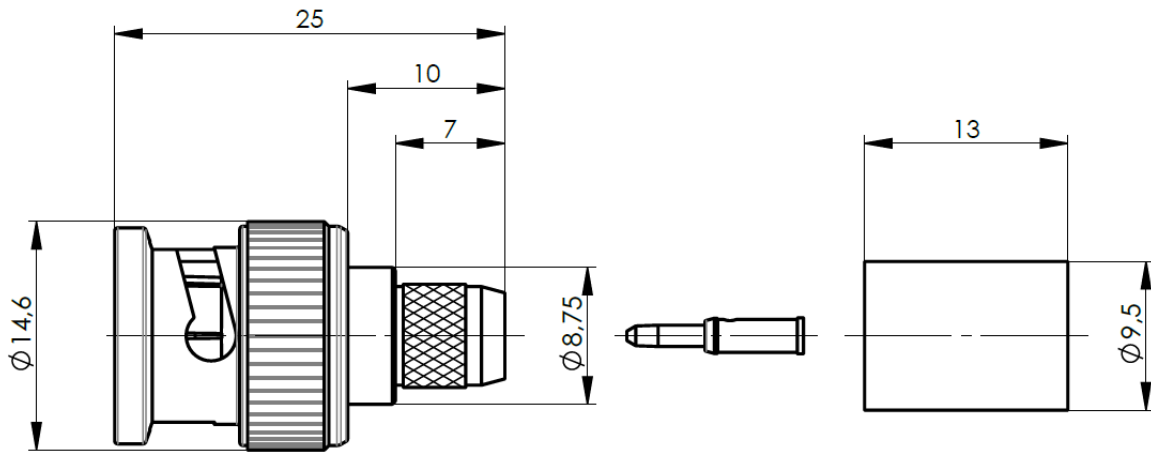


48-702/780 TELEGARTNER BNC Male cable, crimp, 75 ohm, group A



48-702 TELEGARTNER BNC Male cable, crimp, 75 ohm, group A

48-702 TELEGARTNER BNC Male cable, crimp, 75 ohm, group A (pack of 100)

Mechanical Characteristics:

Cable Group:	Canford A	Telegartner	G17
Interface dimensions acc. to	IEC 61169-8		
Mating life	>500		

Materials

Centre contact	CuZn39Pb3
Outer contact	CuZn39Pb3
Other metal parts	GD-ZnAl4Cu1
Crimp ferrule	Cu
Spring washer	CuBe2
Insulator	PTFE
Gasket	Silicone

Finish

NiP Au
Cu2Ni5
Zn/Cu6Ni6
Ni5

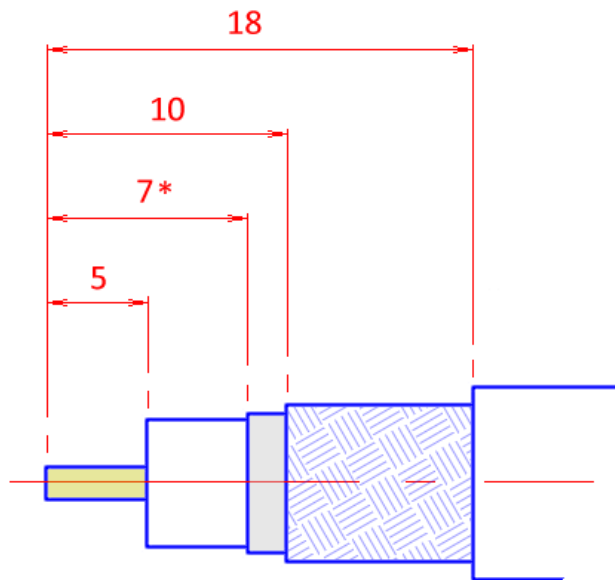
Electrical characteristics:

Impedance	75 Ω
Working voltage	≤ 0.5 kVeff / 50 Hz
Voltage proof	1.5 kVeff / 50 Hz
Insulation resistance	≥ 5 GΩ
Centre contact resistance	≤ 20 mΩ
Outer contact resistance	≤ 5 mΩ

Environmental:

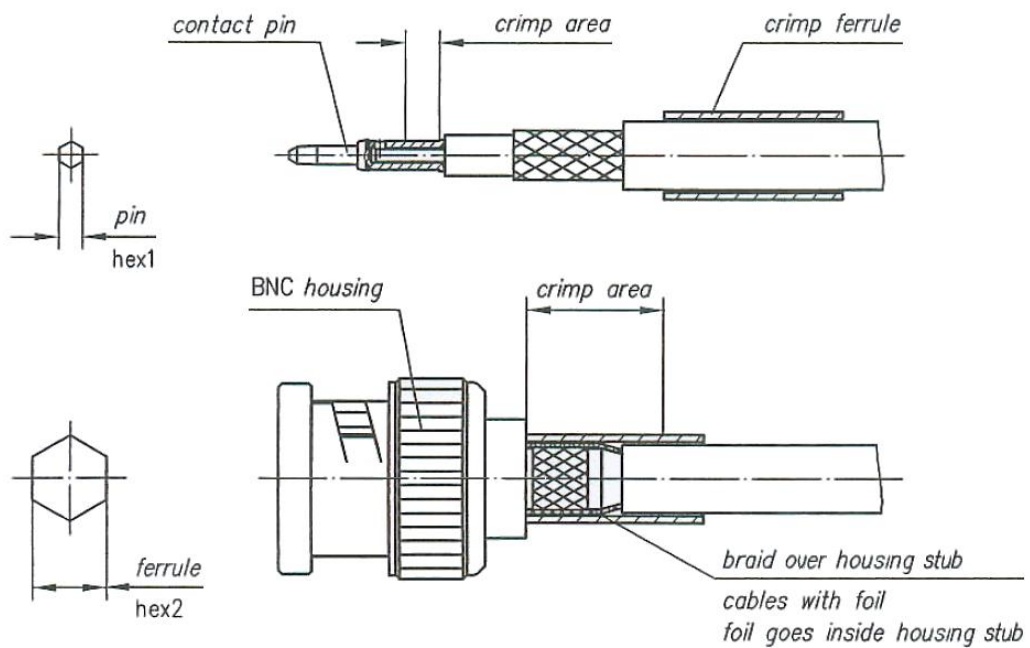
Operating temperature	-40°C to +75°C
RoHS compliant	2011/65/EU

Cable Prep:



All dims: mm
 Not to scale
 * To foil screen if present

Crimp Details:



Hex1	Pin	1.69
Hex2	Ferrule	8.23

Tooling: Currently Canford does not stock a single die set that accommodates both pin & ferrule so below are listed suitable separate die sets.

- Handtool: 55-752 PALADIN 8000 Coaxial crimp tool
- Die set – Pin: 55-764 PALADIN 3703 DIE SET for group Y and Telegartner BNC HD groups Q, X, Y
- Die set – Ferrule: 55-766 PALADIN 2687 DIE SET for group Y (CT100/CX100) F-connectors and RG45