



27-210 TECPRO SMH210 Single muff headset

27-220 TECPRO DMH220 Dual muff headset

27-223 TECPRO DMH220 Dual muff headset (XLR 5 pin connector)

200 Series

SMH 210 – Single Muff DMH 220 – Dual Muff

Features

Robust construction with only two moving joints
Hidden fixings hinder tampering but allows repairs
Noise cancelling mic on flexible steel-reinforced boom
Steel core cable for extra strength
Soft comfortable earpad/headband cushions
Wide, smooth response for reduced listening fatigue
Full range of spare parts available

Technical Specification

Headphone

Nominal impedance: 400 ohm each at 1kHz
Frequency response: 20 - 20,000Hz
Sensitivity: 94dB s.p.l. for 1mW
Distortion: Less than 0.5% at 1kHz
Max. rated power: 0.5 watts

Microphone

Type: Dynamic, uni-directional
Nominal impedance: 200 ohm at 1kHz
Frequency response: 300 - 11,000Hz

Approx. weight

SMH 210 210g
DMH 220 250g

Cable

1.5m steel braced.

Wiring Conventions

XLR 4 pin female:

Pin 1 Microphone earth/screen
Pin 2 Microphone signal
Pin 3 Earphones earth/screen
Pin 4 Earphones signal

The following for BP116 & BP117 Dual Circuit Binaural Tecpro Beltpacks only.

XLR 5 pin female:

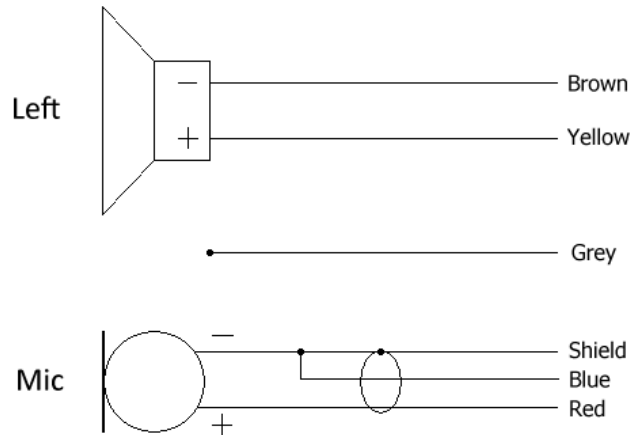
Pin 1 Microphone earth/screen
Pin 2 Microphone signal
Pin 3 Earphones earth/screen
Pin 4 Left earphone signal
Pin 5 Right earphone signal

DMH 210 – Wiring Schematic

XLR 4 pin female:

- Pin 1 Shield/Blue
- Pin 2 Red
- Pin 3 Brown
- Pin 4 Yellow

Grey not used



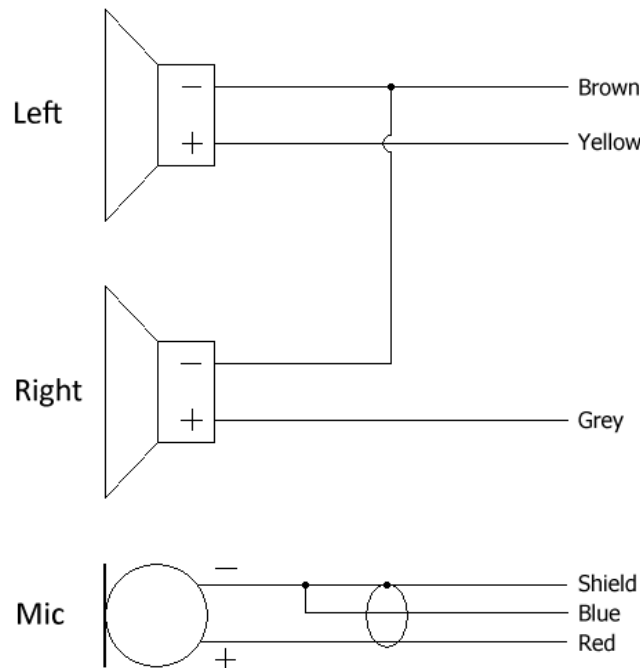
DMH 220 – Wiring Schematic

XLR 4 pin female:

- Pin 1 Shield/Blue
- Pin 2 Red
- Pin 3 Brown
- Pin 4 Yellow/Grey

XLR 5 pin female:

- Pin 1 Shield/Blue
- Pin 2 Red
- Pin 3 Brown
- Pin 4 Yellow
- Pin 5 Grey



Spare parts

For details and pricing of 200 series spares browse to:

<https://www.canford.co.uk/CANFORD-AND-TECPRO-HEADPHONE-AND-HEADSET-SPARE-PARTS-200-Series>